

LARGE TOLERANCE MULTIMATERIAL COUPLING FLANGE ADAPTOR WITH GFIX® GRIP SYSTEM DN 50 - 400 PN10/16

08.401



Product description

- Large tolerance multimaterial coupling flanged adaptor with GFIX® grip system for drinking water and neutral liquids
- Service temperature from 0°C (excluding frost) to 70°C

Standards

- Designed according to EN 14525
- Flange drilling to EN 1092-2 PN10/16

Test according

- EN 14525: Positive internal pressure and negative internal
- EN 545: Positive internal pressure

Corrosion protection

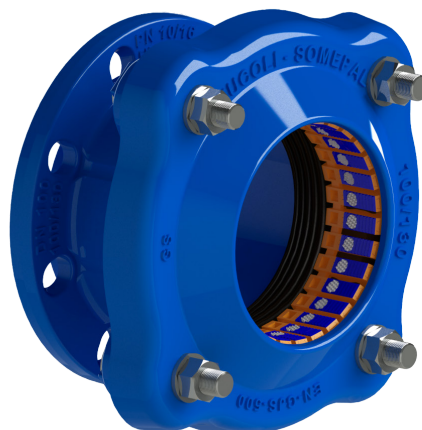
- Epoxy powder coating RAL 5005
- Applied internal and external with a minimum coating thickness of 250 µm
- Potable water approved epoxy coating, fusion bonded according EN 14901 and GSK approved

Approvals

- GSK Epoxy Coating Certificate GSK-ID:1247 (RAL-GZ 662)

Features

- Large tolerance multimaterial coupling flanged adaptor for drinking water
- GFIX® grip system allows a high-fidelity seal/locking of the assembly without pipe disconnections
- The pipe block is performed by a tempered serrated rivets system mounted on the conical claws that fit and grip causing no damage on the pipe
- Sealing system with drinking water approved EPDM
- The sealing is carried out through a seal with O-rings, mounted on a ring made by the grip support, which will slide until being pressed against the pipe
- Allows a maximum angle deflection of 4°
- Bolts and washers in stainless steel A2 and nuts in stainless steel A4 with anti-friction coated protection
- Bolts ends protected with plastic caps
- Allow the connection between pipes with several external diameters and different materials (PE, uPVC, ductile iron, steel, asbestos cement, glass fiber pipes and others) to flanged component
- For PE or uPVC pipe applications, you should be used an insert in stainless steel inside the pipe (ref.15.400)
- On request possibility of bolts, washers and nuts in stainless steel A4.



RAL GUTZEICHEN
"SCHWEISS KENNZEICHEN"
VON ARMATUREN UND FORMSTÜCKEN



Fucoli Somepal
FUNDAÇÃO DE FERRO, S. A.

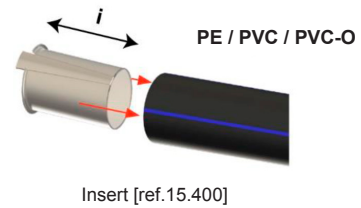
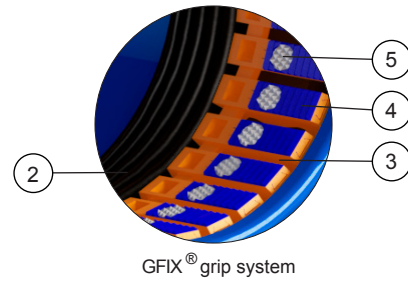
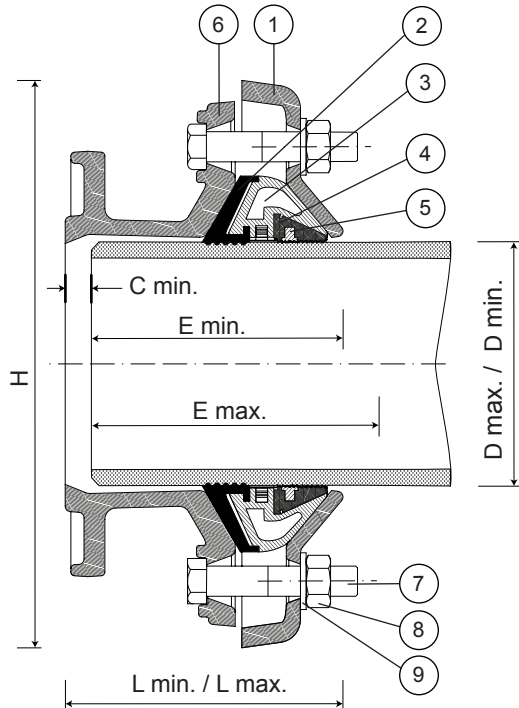
Visit our website at www.fucoli-somepal.pt

Head office: Estrada de Coselhas, 3000-125 Coimbra – Portugal | Tel.: (+351) 239 490100 | Fax: (+351) 239 490198

Branch office: Rua de Aveiro 50, 3050-420 Pampilhosa – Portugal | Tel.: (+351) 239 490100 | Fax: (+351) 231 949292 | comercial@fucoli-somepal.pt

LARGE TOLERANCE MULTIMATERIAL COUPLING FLANGE ADAPTOR WITH GFIX® GRIP SYSTEM DN 50 - 400 PN10/16

08.401




Component list

pos.	components	material	standard
1	Locking ring	Ductile iron EN-GJS-500-7	EN 1563
2	Sealing	Elastomer EPDM	EN 681 - 1
3	Gripper support	POM	-
4	Gripper	POM	-
5	Rivets with milling	Tempered steel cq 15	DIN 1654

pos.	components	material	standard
6	Body	Ductile iron EN-GJS-500-7	EN 1563
7	Bolts	Stainless steel A2	EN 10088 - 1
8	Nuts	Stainless steel A4	EN 10088 - 1
9	Washers	Stainless steel A2	EN 10088 - 1

Reference and dimensions

DN flange	D min./max. mm - mm	PN	code	L min./max. mm - mm	H mm	E min./max. mm - mm	C min. mm	Kg approx.	i insert* mm	Bolt		Torque
50	39 - 52	10/16	10900500	129 - 138	195	90 - 120	15	5	175	M12	19 mm	50 - 70 Nm
50	49 - 64	10/16	10900501	128 - 138	197	90 - 120	15	5	175	M12	19 mm	50 - 70 Nm
60/65	63 - 83	10/16	10900502	129 - 143	209	105 - 128	15	8	175	M12	19 mm	50 - 70 Nm
80	78 - 103	10/16	10900503	125 - 143	229	105 - 128	15	9	175	M12	19 mm	50 - 70 Nm
80/100	87 - 117	10/16	10900504	121 - 143	243	105 - 128	15	10	175	M12	19 mm	50 - 70 Nm
100	100 - 130	10/16	10900505	127 - 150	256	105 - 130	20	10	175	M16	24 mm	90 - 120 Nm
125	117 - 147	10/16	10900506	127 - 150	273	105 - 130	20	12	175	M16	24 mm	90 - 120 Nm
150	152 - 182	10/16	10900507	147 - 168	308	115 - 145	20	14	175	M16	24 mm	90 - 120 Nm
200	198 - 228	10/16	10900508	147 - 168	354	115 - 145	20	18	200	M16	24 mm	90 - 120 Nm
200	245 - 285	10/16	10900523	251 - 280	424	150 - 180	95	30	200	M16	24 mm	90 - 120 Nm
250	245 - 285	10/16	10900509	191 - 220	420	150 - 180	30	27	225	M16	24 mm	90 - 120 Nm
300	300 - 340	10/16	10900510	191 - 220	479	150 - 180	30	35	225	M16	24 mm	90 - 120 Nm
300	340 - 380	10/16	10900525	271 - 300	519	150 - 180	110	49	225	M16	24 mm	90 - 120 Nm
350	340 - 380	10/16	10900511	191 - 220	520	150 - 180	40	42	225	M16	24 mm	90 - 120 Nm
400	390 - 430	10	10900513	191 - 220	571	150 - 180	40	49	225	M16	24 mm	90 - 120 Nm
400	390 - 430	16	10900514	191 - 220	571	150 - 180	40	52	225	M16	24 mm	90 - 120 Nm

* recommended for PE, uPVC or PVC-O pipes



Fucoli Somepal
FUNDAÇÃO DE FERRO, S.A.

Visit our website at www.fucoli-somepal.pt

Head office: Estrada de Coselhas, 3000-125 Coimbra – Portugal | Tel.: (+351) 239 490100 | Fax: (+351) 239 490198

Branch office: Rua de Aveiro 50, 3050-420 Pampilhosa – Portugal | Tel.: (+351) 239 490100 | Fax: (+351) 231 949292 | comercial@fucoli-somepal.pt



100% MADE IN EUROPE